

Kidney Laptop Cart

MPC-43P



NON-POWERED

Mobile Technology Workstations

www.altus-inc.com



sales@altus-inc.com



Kidney Laptop Cart

MPC-43P

Model Number	Worksurface Dimensions	Base Dimensions	Weight
MPC-43P-XX-YYYY	17"D x 26"W	18"W x 20"D	34 lbs.

XX = counterbalancesystem, YYYY = worksurface color



BASE

- Ascend Height Adjustable Base
- 4"/100mm Rollerblade Casters
- 2 Locking / 2 Non Locking
- 18"W x 20"D Footprint



WORKSURFACE

- 1" Thick kidney worksurface
- 3D laminate
- Reversed teardrop edge
- Height adjustment hand lever



MULTIPLE OPTIONS & ACCESSORIES

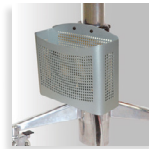
(See Spec Guide for full listing)



CPC-8-BRK
Coiled power cord holder, hospital grade, 3-outlet, black finish



HB
Utility basket, platinum finish



HFH
Utility basket, platinum finish



BCH-7
Swivel bar code holder, black finish

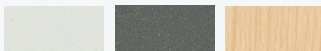
WORKSURFACE & ACCENT COLORS

(YYYY = four digit part number).

Select worksurface color (1 standard color). If another worksurface color is preferred, select alternative (4 choices).

Standard Color: Cloud

Alternative Colors: Shark Grey, Amati Walnut, Summerflame, American Natural Maple



Cloud
0141

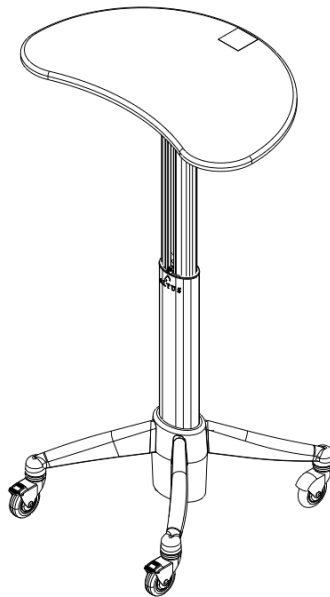
Shark Grey
6005

American
Natural Maple
2028



Amati Walnut
2064

Summerflame
2013



KEY ADJUSTABILITY FEATURES:

Cart Height Adjustment Range: 28 1/2" - 46 1/2"